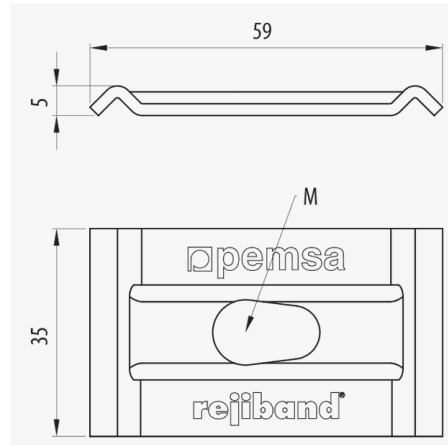


Central Hanging Plate



Description

Central mounting bracket, in M6, M8 and M10, for Rejiband® wire mesh tray. It allows the introduction of cables into the tray from the side and saves installation time when mounting it with a single rod and the respective nuts. Available in various finishes.

Advantages

The ceiling mount allows the introduction of cables into the tray from the side, saves in installation time and cost of material.

Thanks to its shape it adapts easily for anchoring to the rods.

Suitable for tray widths from 100 to 200 mm inclusive.

Available in various diameters: M6, M8 and M10.

Available in various finishes: Electrozinc, bichromate, hot dip galvanized, organic mineral BLACK C8 and passivated stainless steel AISI 316.

Applications

Suitable for the ceiling mounting of Rejiband in widths from 100 to 200 mm by means of a single rod in indoor installations in a dry atmosphere with no contaminants, exterior, industrial, marine, rural or aggressive interior installations.

Solutions



INDUSTRIA ALIMENTARIA



www.pemsa-rejiband.com

Any information included in this document is property of Pemsa®. It cannot be copied, total or partially, nor disclosed to third parties nor used without the explicit and written authorization by Pemsa®. These documents total or partially, can be subject to patent and/or be patent pending and therefore protected by intellectual and industrial property rights. Pemsa, Rejiband, Pemsaband, Inducanal, Rejitech, Megaband, Pemsaflex are registered trademarks property of "Pemsa Cable Management, S.A."



Central Hanging Plate

Main technical characteristics

| | | | | | | |
|---|----------|------|----|------------|-------------------|------------------|
| E.G., Bycro (BC), H.D.G., AISI 316L, C8 | M10, M 6 | 20 u | 70 | -50°/ 150° | A1 No combustible | ETIM EC001003 |
|---|----------|------|----|------------|-------------------|------------------|

Product data

| | Class | | Ref | kg/u | |
|------------|----------|-----|----------|-------|----------------------------|
| E.G. | Class 3 | M10 | 67010046 | 0,033 | Steel with surface coating |
| E.G. | Class 3 | M 6 | 67010144 | 0,033 | Steel with surface coating |
| Bycro (BC) | Class 5 | M10 | 67020046 | 0,030 | Steel with surface coating |
| H.D.G. | Class 5 | M10 | 67030046 | 0,032 | Steel with surface coating |
| H.D.G. | Class 5 | M 6 | 67030144 | 0,034 | Steel with surface coating |
| AISI 316L | Class 9D | M10 | 67060046 | 0,031 | Stainless Steel AISI 316L |
| C8 | Class 8 | M10 | 67080046 | 0,029 | Steel with surface coating |

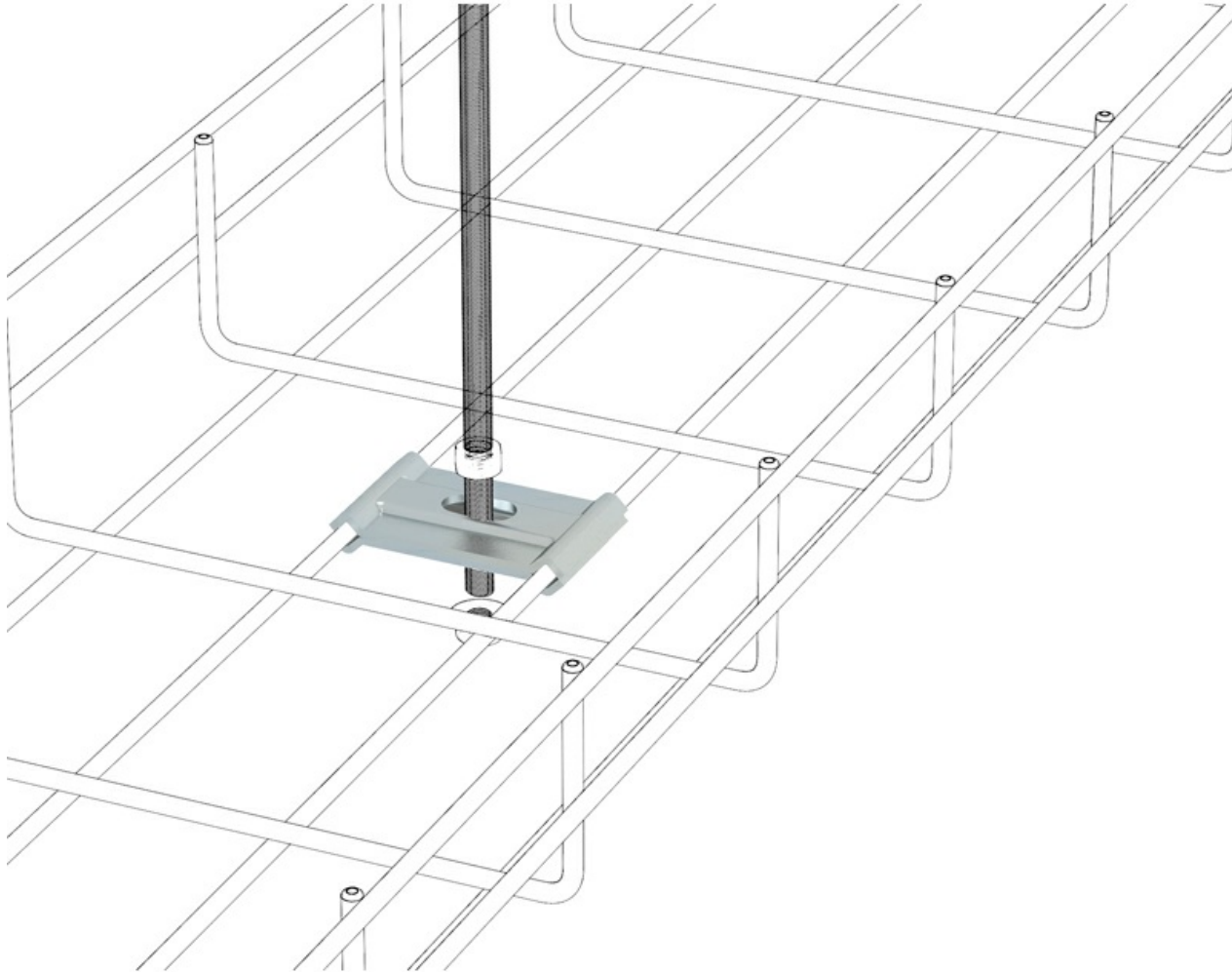
Coatings

- EZ** - Electrogalvanized, white, according to EN ISO 2081. Class 3 protection in compliance with product standard EN 61537. Electrolytic zinc protection adequate for indoor installations.
- BC** - Electrogalvanized Bycro, yellow, in compliance with EN ISO 2081. Class 4 protection in compliance with product standard EN 61537. Improved resistance to corrosion, especially adequate for demanding indoor installations.
- GC** - Hot-dipped galvanizing in compliance with EN ISO 1461. Class 6 protection in compliance with product standard EN 61537. Appropriate for outdoor installations and aggressive environments.
- BLACK C8** - High Resistance coating, Black Colour. Class 8 of protection in compliance with product standard EN 61537. Neutral Salt Spray Chamber test >1000 h acc. to ISO 9227.
- 304 and 316L** stainless steel, in compliance with EN 10088 standard, with passivated Thermicon treatment. Class 9 protection. Appropriate for outdoor installations and highly aggressive environments.

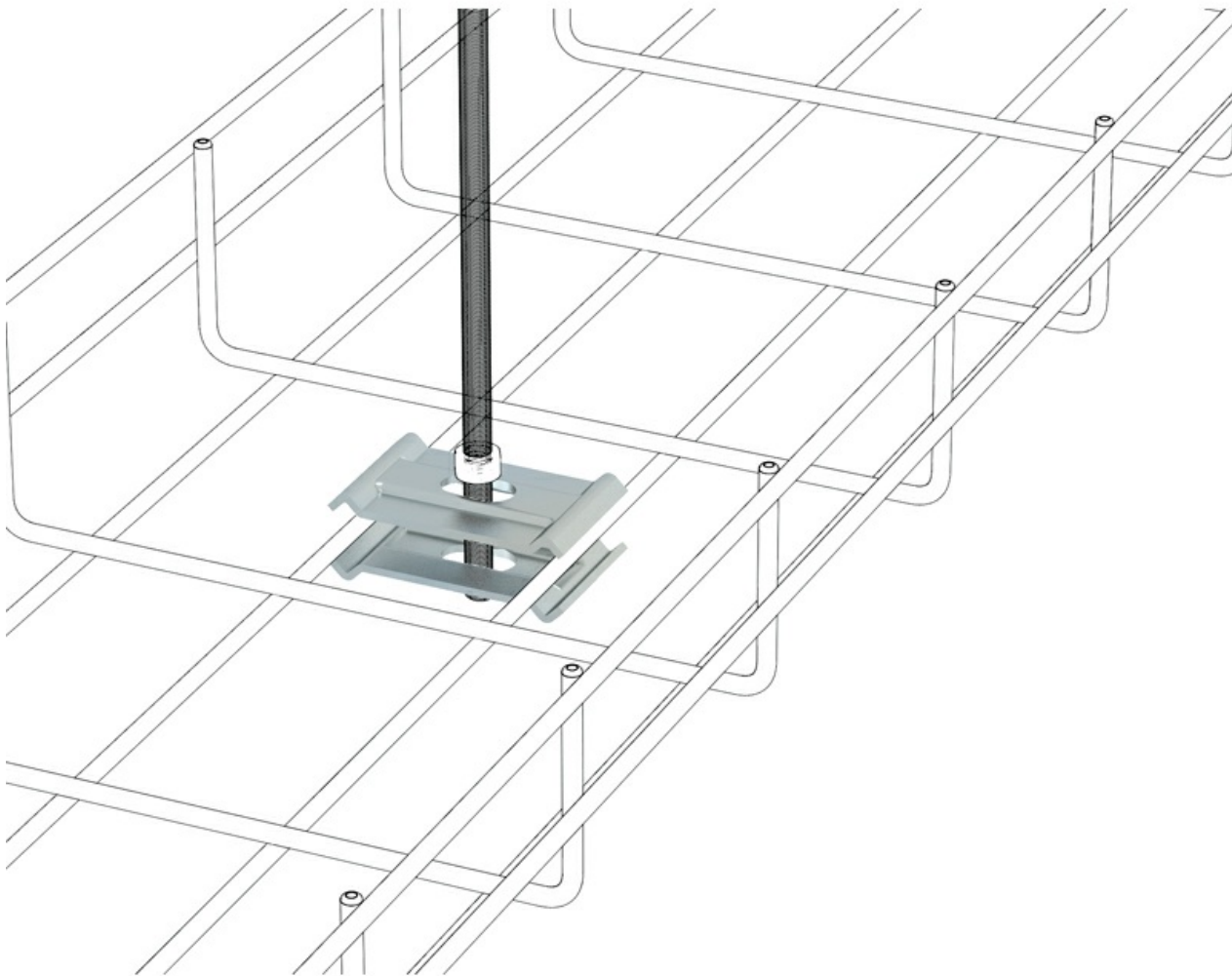


Central Hanging Plate

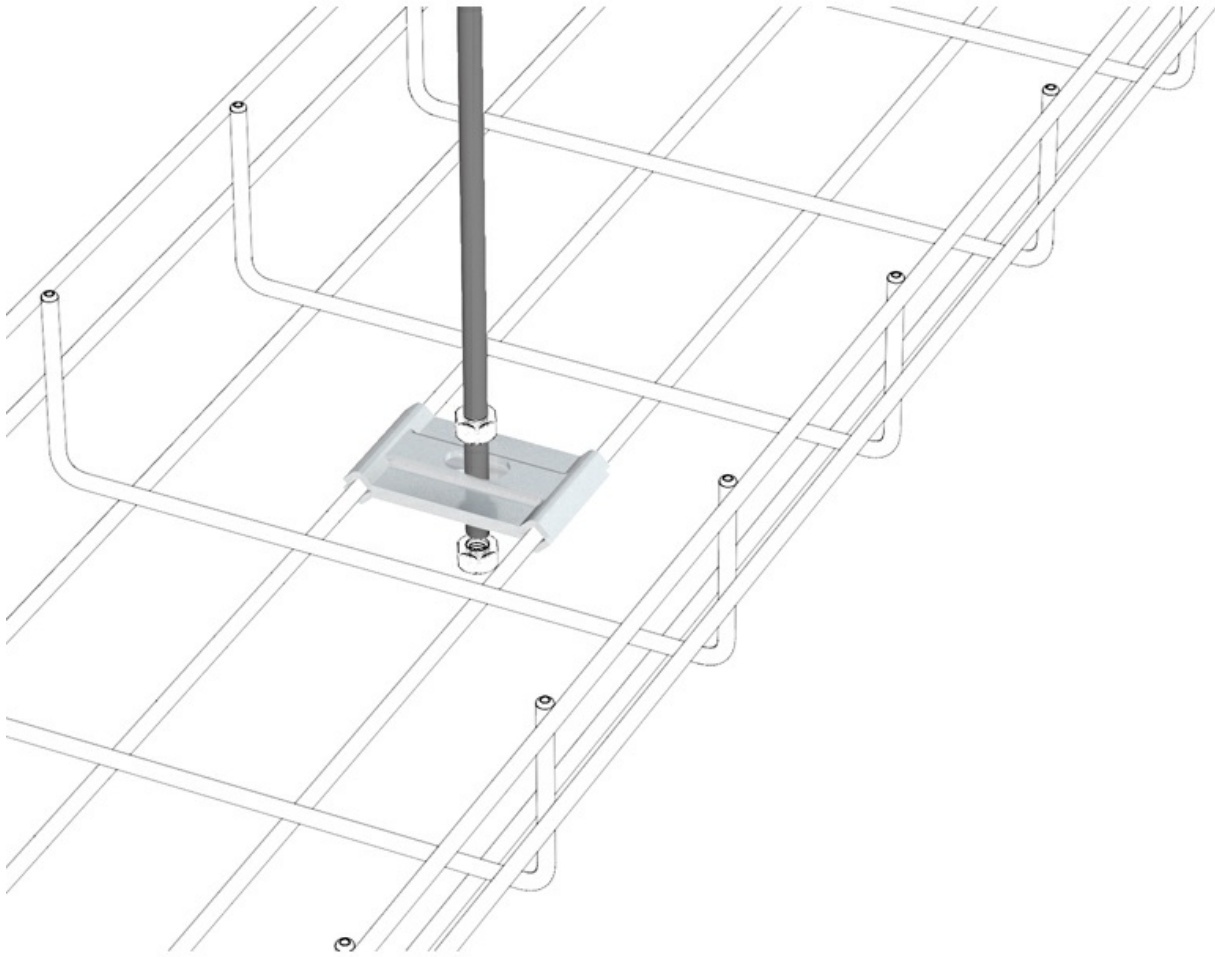
Product applications



Central Hanging Plate



Central Hanging Plate



Central Hanging Plate

